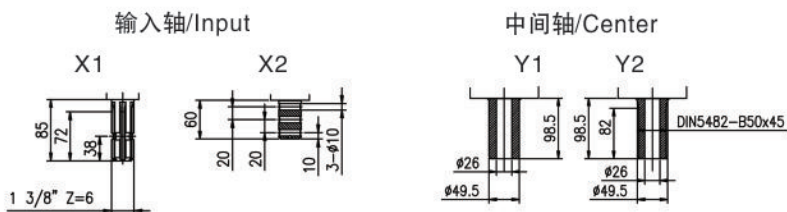
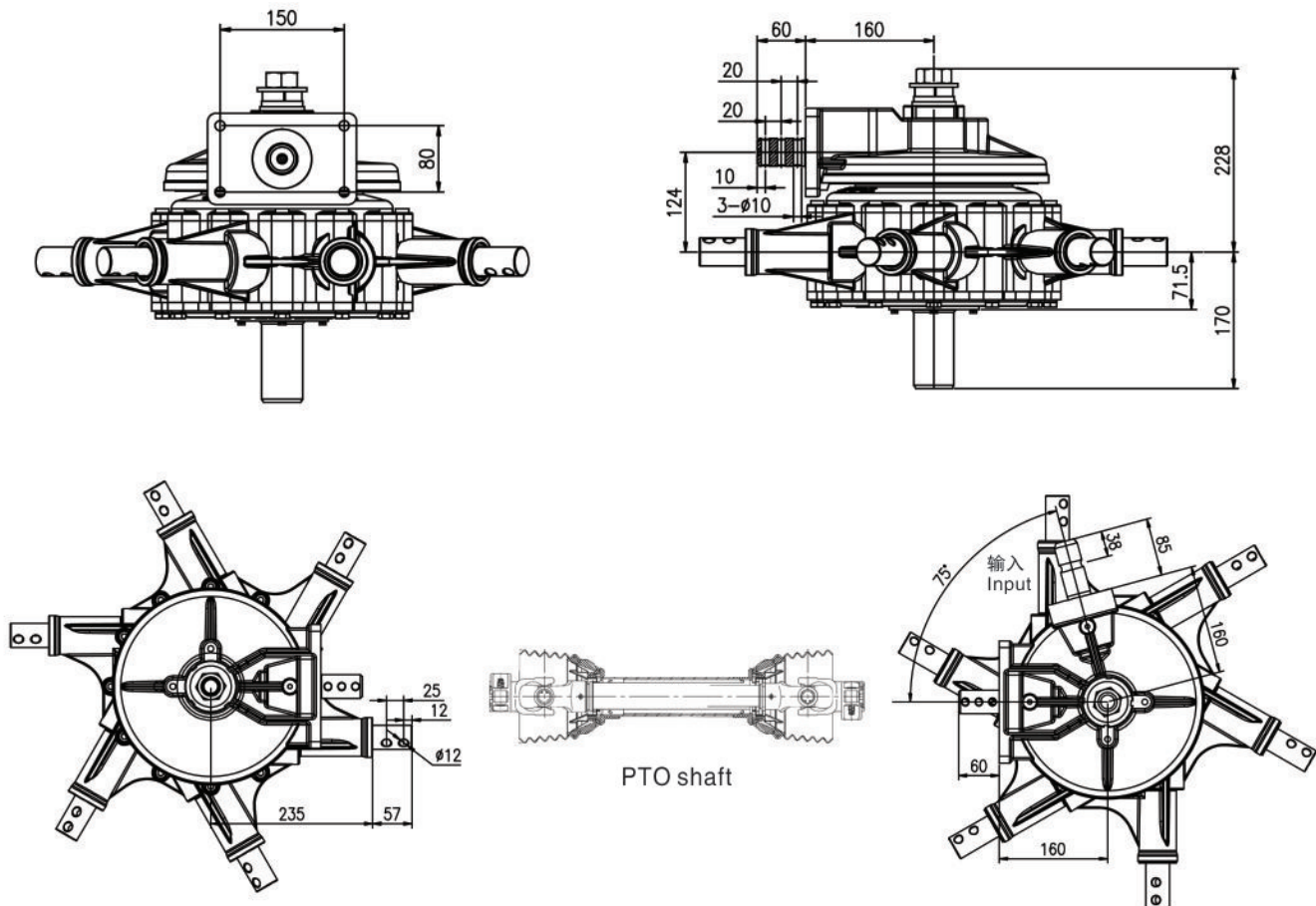


S-60D SPEC



尺寸/Dimensions

S60双向装配，齿轮箱不在中间/S60 double, without gearbox in the middle



技术参数/Technical Data

i	输入轴/Input		中间轴/Center			材料 Material	齿型 Toothing	KG	LT	模 Module	旋转 Rotation
	X1	X2	Y1	Y2							
5.2:1	540	104	-	-	-	球铁 Ductile Iron GS400	直伞齿 Straight bevel gear	67	2.8	5	K